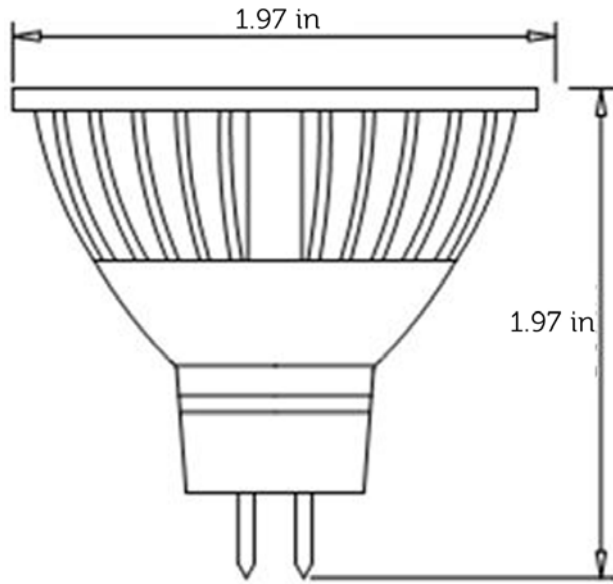




PRODUCT DESCRIPTION

The Prism Azurite is an MR16 LED lamp with a warm or cool white light. It replaces up to a 25W incandescent bulb, offering increased brightness and even illumination.

- 3-year warranty.
- More than 80% reduction in energy consumption compared to traditional lights.
- 35,000 to 47,000 more lifetime hours than traditional lighting.
- No mercury or lead.
- Lamps custom manufactured for your needs: color temperature, beam spread, and light output all can be modified.
- Excellent for commercial and residential applications.
- A special acrylic lens achieves even light distribution.
- UL Listed, RoHS Compliance and approved by CE.
- Aluminum housing dissipates heat so that the bulb may be touched while on.



SPECIFICATIONS

Shape	Dimensions	Base	AC
MR16*	Diameter: 1.97in/50mm Height: 1.97in/50mm	Gu5.3	AC/DC 12V

Power Consumption	3.7
LED Current	320mA
Beam Angle	15, 35, 60
Luminous Flux Warm White	170
Luminous Flux Cool White	215

Warm White	3000K; CRI-80
Cool White	6000K; CRI-75

*Shape and size of bulb are based on standardized lighting industry measurement.

ORDERING INFORMATION: CATALOGUE

MR16	AZU	S	Gu5.3			
Shape	Item	Type	Base	Color	Beam Angle	Housing Color
MR16	AZU	S (standard)	Gu5.3	3000 6000	15 35 60	0 (silver) 1 (orange)

